



# AGE<sup>®</sup>

## Control Valves



***D.G.I***



**AGE D.G.I**



▶▶ **목 차 / CONTENTS**

▶▶ ORDERING INFORMATION .....	3
▶▶ MANUAL RUBBER SEATED BUTTERFLY VALVE .....	4
▶▶ MANUAL DOUBLE SEATED HP BUTTERFLY VALVE .....	5
▶▶ AGE30/32/33 SERIES PNEUMATIC CONTROL BUTTERFLY VALVE .....	6
▶▶ AGE30/32/33 SERIES PNEUMATIC CONTROL GLOBE VALVE .....	7
▶▶ AGE311 SERIES PRIMARY PRESSURE REGULATING VALVE .....	8
▶▶ AGE313 SERIES PRESSURE REDUCING VALVE .....	9
▶▶ AGE40/42 SERIES ELECTRIC(STEP) ON OFF VALVE .....	10
▶▶ AGE41 SERIES ELECTRIC MODULATING VALVE .....	11



▶▶ **MANUAL BUTTERFLY VALVE**

1 2 3 4 - SIZE

AGE □□□□-□□□□

size:(100A:100)

1 Body Material	2 Seat Material	3 Ratings	4 Operating
2 FC200(A126Gr.A)	3 Rubber	1 JIS 10K(ANSI #150)	1 Lever type
3 SCS13(A351-CF8)	4 Stainless steel	2 JIS 20K(ANSI #300)	2 Gear type
4 FCD450(A536Gr.46)	5 Filled TFE	3 JIS 30K	Bare type
5 SCPH2(A216-WCB)	6 Option	4 JIS 40K	
6 Aluminum		5 Option	
7 Option			

▶▶ **PNEUMATIC CONTROL VALVE**

1 2 3 - 4 5 6 7 - SIZE

AGE3 □□□□-□□□□-□□□□

size:(100A:100)

1 Operating	2 Actuator Type	3 Action(air)	4 Body Material	5 Seat Material	6 Ratings	7 Body type
0 On Off	D Double Acting	C Fail Close	2 FC200(A126Gr.A)	3 Rubber	1 JIS 10K(ANSI #150)	B Butterfly
2 Step On Off	S Single Acting	O Fail Open	3 SCS13(A351-CF8)	4 Stainless steel	2 JIS 20K(ANSI #300)	G 2way Globe
3 Proportional		L Fail Last(Hold)	4 FCD450(A536Gr.46)	5 Filled TFE	3 JIS 30K	M 3way Globe Mixing
			5 SCPH2(A216-WCB)	6 Option	4 JIS 40K	T 3way Globe Diverting
			6 Aluminum		5 Option	H High Rangeability Butterfly
			7 Option			S Ball
						W Withdraw Butterfly

▶▶ **ELECTRIC CONTROL VALVE**

1 2 3 - 4 5 6 7 - SIZE

AGE4 □□□□-□□□□-□□□□

size:(100A:100)

1 Operating	2 Actuator Type	3 Action(Power)	4 Body Material	5 Seat Material	6 Ratings	7 Body type
0 On Off	1 110 VAC	C Fail Close	2 FC200(A126Gr.A)	3 Rubber	1 JIS 10K(ANSI #150)	B Butterfly
1 Modulating	2 220VAC	O Fail Open	3 SCS13(A351-CF8)	4 Stainless steel	2 JIS 20K(ANSI #300)	G 2way Globe
2 Step On Off	3 380~440VAC	L Fail Last(Hold)	4 FCD450(A536Gr.46)	5 Filled TFE	3 JIS 30K	M 3way Globe Mixing
	4 24VAC		5 SCPH2(A216-WCB)	6 Option	4 JIS 40K	T 3way Globe Diverting
	5 etc		6 Aluminum		5 Option	H High Rangeability Butterfly
			7 Option			S Ball
						W Withdraw Butterfly

▶▶ **PRESSURE REGULATING VALVE**

1 2 3 - 4 5 6 7 - SIZE

AGE3 □□□□-□□□□-□□□□

size:(100A:100)

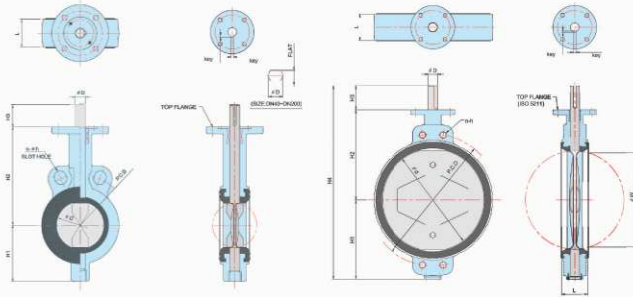
1 Operating	2 Actuator Type	3 Action(air)	4 Body Material	5 Seat Material	6 Ratings	7 Body type
1 Regulating	1 1st pressure	C Fail Close	2 FC200(A126Gr.A)	3 Rubber	1 JIS 10K(ANSI #150)	B Butterfly
	3 2nd pressure	O Fail Open	3 SCS13(A351-CF8)	4 Material	2 JIS 20K(ANSI #300)	G 2way Globe
		L Fail Last(Hold)	4 FCD450(A536Gr.4)	5 Filled TFE	3 JIS 30K	
			5 SCPH2(A216-WCB)	6 Option	4 JIS 40K	
			6 Aluminum		5 Option	
			7 Option			

## MODEL No : AGE231 Series

- Bi-directional tight shut off.
- Installation without restriction in direction of flow.
- Reduced weight and overall dimensions.
- Low pressure loss and high recovery.
- High capacity.
- High reliability
- Good resistance to corrosion.
- Self cleaning(No trapped.)
- Easy to clean and disinfect for portable water systems etc.

## SPECIFICATION

<b>Valve</b>	Size	40A(1½") ~ 1200A(48")
	Ratings	KS 5K~16K, ANSI 150#, PN10~16, etc
	Connections	Wafer, Lug, Semi-lug, Flange
	Temperature	-5°C ~ 120°C
<b>Materials</b>	Body	Cast iron, Ductile iron, Cast steel, Stainless steel, Aluminum Bronz, etc.
	Disc	Stainless steel, Monel, Aluminum, Rubber lined, etc.
	Seat	EPDM, NBR, Viton, Silicone, Neoprene, etc.
	Shaft	Stainless steel, Monel, Al Bronze, etc.



## OUTLINE DIMENSION

VALVE SIZE		Ød	L	H1	H2	H3	STEM		TOP FLANGE (ISO5211)	JIS 10K			ANSI 150LB			BS 4504 PN10			WEIGHT unit : mm KG
inch	mm						D	key		Øc	n	h	Øc	n	h	Øc	n	h	
1.5"	40	40	40	54	120	33	14	FL '10	F07	105	4	M16	98.5	4	½	110	4	M16	3.0
2"	50	52	43	68	130	33	14	FL '10	F07	120	4	M16	120.5	4	⅝	125	4	M16	3.5
2.5"	65	64	46	77	138	33	14	FL '10	F07	140	4	M16	139.5	4	⅝	145	4	M16	4.7
3"	80	76	46	84	157	33	16	FL '12	F07	150	8	M16	152.5	4	⅝	160	8	M16	5.5
4"	100	101	52	105	170	33	16	FL '12	F07	175	8	M16	190.5	8	⅝	180	8	M16	7.5
5"	125	126	56	120	186	33	19	FL '15	F07	210	8	M20	216.0	8	¾	210	8	M16	9.5
6"	150	149	56	135	200	33	19	FL '15	F07	240	8	M20	241.5	8	¾	240	8	M20	12
8"	200	196	60	183	237	33	22	FL '18	F07	290	12	M20	298.5	8	¾	295	8	M20	16
10"	250	244	68	223	286	50	22	8×7	F10	355	12	M22	362.0	12	⅞	350	12	M20	27
12"	300	294	78	255	314	50	28	8×7	F10	400	16	M22	432.0	12	⅞	400	12	M20	44
14"	350	333	78	280	340	50	28	8×7	F10	445	16	M22	476.0	12	1	460	16	M20	67
16"	400	384	102	310	378	60	38	12×8	F14	510	16	M24	539.5	16	1	515	16	M24	100
18"	450	435	114	350	400	60	38	12×8	F14	565	20	M24	578.0	16	1⅛	565	20	M24	130
20"	500	485	127	380	440	80	45	14×9	F16	620	20	M24	635.0	20	1⅛	620	20	M24	162
22"	550	534	142	396	485	80	55	14×9	F16	680	20	M30	392.2	20	1¼	-	-	-	185
24"	600	573	154	448	510	80	55	14×9	F16	730	24	M30	749.5	20	1¼	725	20	M27	220
26"	650	624	165	463	530	80	55	14×9	F16	780	24	M30	806.5	24	1¼	-	-	-	300
28"	700	674	165	500	580	110	65	18×11	F16	840	24	M30	863.5	28	1½	840	24	M27	345
30"	750	716	190	520	590	110	65	18×11	F25	900	24	M30	914.5	28	1½	-	-	-	390
32"	800	767	190	565	630	110	75	20×12	F25	950	28	M30	978.0	28	1½	950	24	M30	480
36"	900	860	203	670	700	150	90	22×14	F25	1050	28	M30	1086.0	32	1½	1050	28	M30	630
40"	1000	970	216	725	750	150	90	22×14	F25	1160	28	M36	1200.0	36	1½	1160	28	M33	750
44"	1100	1010	216	780	840	150	90	22×14	F25	1270	28	M36	1314.5	40	1½	-	-	-	860
48"	1200	1173	254	860	900	150	90	22×14	F25	1380	32	M36	1422.4	44	1½	1380	32	M36	915
52"	1300	1272	280	920	970	180	120	32×18	F30	-	-	-	1537.0	44	1⅝	-	-	-	1010
56"	1400	1371	280	970	1010	180	120	32×18	F30	-	-	-	-	-	-	1590	36	M39	1245
64"	1600	1572	360	1120	1160	180	140	32×18	F35	-	-	-	-	-	-	1820	40	M45	1550
72"	1800	1740	360	1210	1270	200	170	40×22	F40	-	-	-	2095.5	60	1⅞	2020	44	M45	2100

\* Dimension and design are subject to change without notice.  
\* Request certified drawings for use in preparing piping layouts.



▶▶ **MODEL No : AGE451 Series**

Standard AGE HP Butterfly valve is designed for medium low pressure and temperature(16kg/cm<sup>2</sup>/203°C) ratings with reinforced TFE seat.

Unique construction of dual seat design provides excellent endurance to the thermal deformations of body, valve disc and seating.

This enables AGE HP Butterfly valve to be applied to medium low pressure saturated steam shut off service.

▶▶ **BODY STRUCTURE**

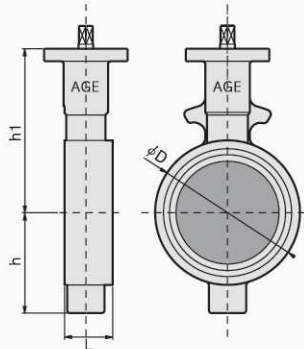


▶▶ **SPECIFICATION**

<b>Valve body</b>	Size	25A(1") ~ 600A(24")
	Ratings	JIS 10K~40K, ANSI 150#~600#, PN10~25, etc.
	Pressure	20kg/cm <sup>2</sup> , 16kg/cm <sup>2</sup> (Saturated Steam)
	Temperature	up to 180°C for 25A~200A, up to 240°C for 250A~450A
	Connections	Wafer, Lug, Semi-lug, Flange
<b>Materials</b>	Body	Ductile iron, Cast steel, Stainless steel, etc.
	Disc	Stainless steel, etc.
	Seat	PTFE, RTFE, etc.
	Shaft	Stainless steel, etc.

▶▶ **OUTLINE DIMENSIONS**

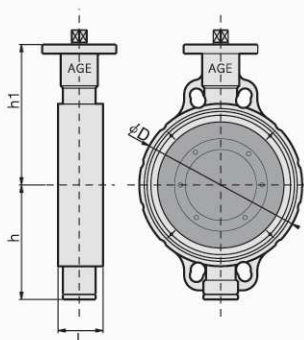
25mm ~ 150mm



VALVE SIZE	DIMENSIONS(mm)				WEIGHT kg
	L	h	h1	ØD	
25A	42	50	96	68	3.9
40A	42	56	110	80	4.3
50A	44	68	135	99	5
65A	44	71	140	121	5.8
80A	44	83	152	131	6
100A	52	95	162	156	7.5
125A	62(56)	145	190	187	19
150A	62(56)	163	207	217	20

\* Dimensions and design are subject to change without notice. Request certified drawings for use in preparing piping layouts.

200mm ~ 600mm



VALVE SIZE	DIMENSIONS(mm)				WEIGHT kg
	L	h	h1	ØD	
200A	84(64)	171	235	267	35
250A	91(68)	205	285	330	57
300A	101(78)	278	342	375	81
350A	114(78)	306	385	420	98
400A	114(102)	338	430	532	120
450A	114	373	430	532	150
500A	127	398	440	592	192
550A	154	429	449	647	230
600A	154	445	570	697	310

\* Dimensions and design are subject to change without notice. Request certified drawings for use in preparing piping layouts.

▶▶ **MODEL No : AGE 30 Series (Pneumatic On-Off Valve)**  
**AGE 32 Series (Pneumatic Step On-Off Valve)**  
**AGE 33 Series (Pneumatic Proportional Valve)**

AGF30/32/33 series quarter turn control valves provide the solution to high frequency operating and high differential pressure control service.

Unique design of piston rack and parallel scotch yoke minimizes rack moment and linear troque output.

Step open or close operating(AGE32 series) to avoid any possible surge of pressure or water hammer.



Proportional butterfly valve



On-Off butterfly valve

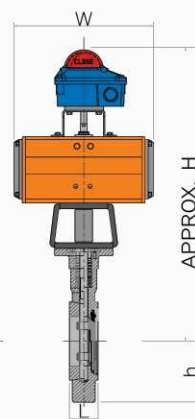
▶▶ **SPECIFICATION**

	Model no	AGE30/32/33□□-□□□□B
<b>Valve</b>	Type	HP Butterfly, Rubber seated Butterfly
	Size	25A(1") ~ 600A(24")
	Ratings	JIS 10K~63K, ANSI 150#~600#, DIN 10~25, etc
	Connections	Wafer, Lug, Flange
	Rangeability	Standard 15:1, 30:1 or higher is order made
	Leakage class	ANSI Class IV - VI
	Temperature	-100°C - 480°C
<b>Actuator</b>	Type	Single rack linear swivel, Rack & pinion
	Operating	Double acting, Single acting, Step acting
	Accessories	Solenoid valve, Limit switch box, Air set, silencer, Volume booster, Manual handle, etc.
<b>Materials</b>	Body	Cast iron, Ductile iron, Cast steel, Stainless steel, etc.
	Disc	Stainless steel, etc.
	Seat	Rubber, Filled TFE, Stainless steel, etc.
	Shaft	Stainless steel, etc.

▶▶ **OUTLINE DIMENSION**

unit : mm

VALVE SIZE	ACTUATOR SIZE		L	REFERENCE		WEIGHT KG
	mm	inch		H	W	
25A	1"	63S	42	398	168	4.8
40A	1½"	63S	42	412	168	5.6
50A	2"	75S	44	449	184	7.8
65A	2½"	83S	44	463	204	9.7
80A	3"	92S	44(46)	483	262	11.4
100A	4"	105S	52	542	268	13.6
125A	5"	125S	62(56)	592	301	22.5
150A	6"	125S	62(56)	609	301	32.4
200A	8"	140S	84	654	390	52.4
250A	10"	160S	91(68)	684	458	61.3
300A	12"	190S	101(78)	819	525	92.6
350A	14"	210S	114(76)	859	532	132
400A	16"	240S	114(102)	966	602	168
450A	10"	240S	114	982	458	195
500A	12"	270S	127	1030	525	262
550A	14"	270S	154	1039	532	356
600A	16"	300S	154	1189	602	420



Step On-Off butterfly valve

※Dimensions and design are subject to change without notice.  
 Request certified drawings for use in preparing piping layouts.



▶▶ **MODEL No : AGE 30 Series (Pneumatic On-Off Control Valve)**  
**AGE 32 Series (Pneumatic Step On-Off Valve)**  
**AGE 33 Series (Pneumatic Proportional Control Valve)**

AGE30/32/33 series pneumatic globe control valve provides high shut off differential pressure rating, excellent tightness, compact and light weight. High thrust and stiffness than comparable diaphragm actuator offer higher positioning accuracy and repeatability. Unique design of actuator allows simple and easy maintenance.



Proportional 3-way globe valve



Proportional 2-way globe valve



On-off globe valve

▶▶ **SPECIFICATION**

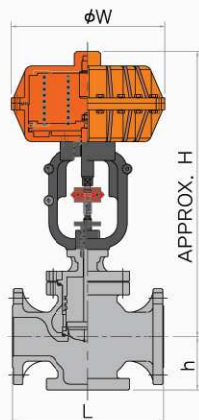
	Model no	AGE30/32/33□-□□□G	AGE30/33□-□□□T or M
<b>Valve</b>	Type	2-way globe	3-way diverting, mixing globe
	Size	15A( $\frac{1}{2}$ " ) ~ 300A(12")	
	Ratings	JIS 10K~63K, ANSI 150#~600#, DIN 10~25	
	Connections	Flange, welded, etc.	
	Rangeability	Standard 30:1, 50:1 or higher is order made	
	Leakage class	Metal seat : ANSI Class IV, soft seat : ANSI Class VI	
	Temperature	-17°C~230°C for plain bonnet, -45°C~566°C for Extended bonnet	
<b>Actuator</b>	Type	Piston cylinder, Diaphragm	
	Operating	Reverse acting(Air-to-open), Direct acting(Air-to-close)	
	Accessories	E/P positioner, P/P positioner, Smart positioner, Position transmitter, Air set, Manual handle.	
<b>Materials</b>	Body	Ductile iron, Cast steel, Stainless steel, etc.	
	Plug	Stainless steel, Monel, Filled TFE, etc.	
	Seating	Stainless steel, Monel, Filled TFE, etc.	
	Stem	Stainless steel, etc.	

▶▶ **OUTLINE DIMENSION**

unit : mm

VALVE SIZE		ACTUATOR SIZE	L		H	h	ØW	WEIGHT
mm	inch	dia.	10K	20K	REFERENCE			KG
15A	$\frac{1}{2}$ "	200D	156	160	459	47	263	25
20A	$\frac{3}{4}$ "	200D	160	164	459	50	263	25
25A	1"	200D	160	164	459	51	263	26
32A	$1\frac{1}{4}$ "	200D	222	235	501	87	263	33
40A	$1\frac{1}{2}$ "	200D	222	235	501	87	263	35
50A	2"	200D	254	267	497	88	263	48
65A	$2\frac{1}{2}$ "	250D	276	292	575	100	322	57
80A	3"	250D	298	317	596	111	322	64
100A	4"	330D	352	368	722	136	420	105
125A	5"	330D	403	473	741	156	420	135
150A	6"	330D	451	473	745	156	420	160
200A	8"	400D	543	568	856	175	480	250
250A	10"	400D	673	708	1140	214	480	350
300A	12"	500D	737	770	1250	260	560	500

\*Dimensions and design are subject to change without notice.



▶▶ **MODEL No : AGE311 Series(Primary Pressure Control)**

Unique and uncomplicated pneumatic 1st pressure regulating valve provides the solution to upstream pressure control problems. **AGE311** series can be used not only globe valve body but also specific quarter turn valves like HP butterfly valve designed with Anti-Blowout seat construction. This feature provides extremely low cost in large size services, desirable pump pressure control and convenient selecting/sizing procedures.

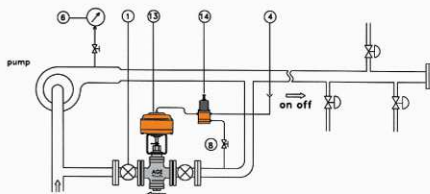
▶▶ **SPECIFICATION**

<b>Valve</b>	Model	AGE311□-□□□ G	AGE311□-□□□ B
	Type	2-way globe	HP butterfly
	Size	15A( $\frac{1}{2}$ " ) ~ 300A(16")	25A(1") ~ 600A(24")
	Ratings	JIS 10K~63K, ANSI 150#~600#, DIN 10~25, etc.	
	Connections	Flange, welded, etc.	Flange, wafer, lug
	Leakage Class	ANSI Class IV	ANSI Class IV~VI
<b>Materials</b>	Body	Cast iron, Ductile iron, Cast steel, Stainless steel, Al Bronze, etc.	
	Plug/Disc	Rubber, TFE, Stainless steel, Monel, Inconel ,etc.	
	Seat	Rubber, TFE, Stainless steel, Monel, Inconel ,etc.	
	Shaft	Stainless steel, Monel, Al Bronze ,etc.	
<b>Actuator</b>	Type	Single rack linear swivel, Rack & pinion	Multi spring cylinder, Diaphragm
	Operating	Double acting, Single acting	
	Accessories	Regulator, Controller	

▶▶ **EXAMPLES OF INSTALLATION**

1 Shut off valve	5 Impulse tubing	9 condensate pot	13 control valve(R/A)
2 Control valve	6 Pressure indicator	10 Safety valve	14 Controller(1)
3 Controller (3)	7 Syphon tube	11 Controller(2)	15 dP indicator
4 Air supply(5~7Kg/af)	8 Block valve	12 Solenoid valve	16 Orifice flange

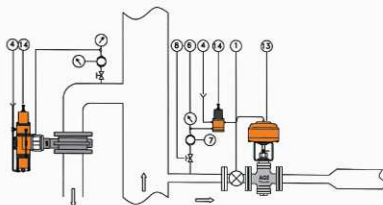
\* **Pump discharge pressure regulating valve**



**AGE311** Series regulates pump discharge pressure at any flow rate.

Pressure for **AGE311** Series controller input on pump discharge side or valve upstream side.

\* **Upstream pressure regulating valve**

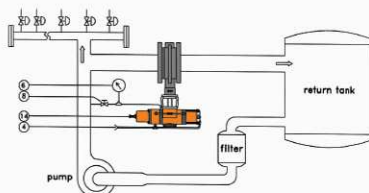


**AGE311** Series satisfies designed pressure on every specified facilities by over flowing valve upstream.

The variation of flow rate of user doesn't affect main process pressure

Pressure for **AGE311** Series controller input on place at which specified pressure to be constantly regulated.

\* **Nozzle pressure regulating valve**



**AGE311** Series senses upstream pressure of valve and over flows remains so as to absorb excessive pressure surge problems and not to permit instabilities of pressure on circulation and feed water system.

This lengthens duty life of equipment and devices.



Let down trim HP butterfly valve



Globe valve



▶▶ MODEL No : AGE313 Series(Pressure Reducing Control)

AGE31 series pressure regulating valve provides stability, accuracy and convenient selecting/sizing in pressure reducing service. Specific HP butterfly valve body presents low costs in large size service.

Applications	Action
Recommended on caustic fluid service (Water, Gases & Acidic fluid)	Closing by increasing downstream pressure
For Steam and Air Service	

▶▶ SPECIFICATION

Valve	Model	AGE313□-□□□ G	AGE313□-□□□ B
	Type	2-way globe	HP butterfly
	Size	15A( $\frac{1}{2}$ " ) ~ 300A(16")	25A(1" ) ~ 600A(24")
	Ratings	JIS 10K~63K, ANSI 150#~600#, DIN 10~25, etc.	
	Connections	Flange, welded, etc.	Flange, wafer, lug
	Leakage Class	ANSI Class IV	ANSI Class IV~VI
Materials	Body	Cast iron, Ductile iron, Cast steel, Stainless steel, Al Bronze, etc.	
	Plug/Disc	Rubber, TFE, Stainless steel, Monel, Inconel ,etc.	
	Seat	Rubber, TFE, Stainless steel, Monel, Inconel ,etc.	
	Shaft	Stainless steel, Monel, Al Bronze ,etc.	
Actuator	Type	Single rack linear swivel, Rack & pinion	Multi spring cylinder, Diaphragm
	Operating	Double acting, Single acting	
	Accessories	Regulator, Controller	



Let down trim HP butterfly valve

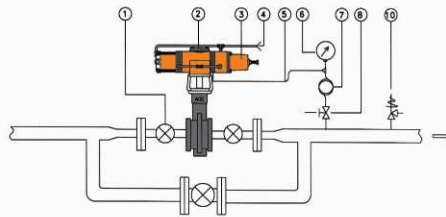


Globe valve

▶▶ EXAMPLES OF INSTALLATION

1 Shut off valve	5 Impulse tubing	9 condensate pct	13 control valve(R/A)
2 Control valve	6 Pressure indicator	10 Safety valve	14 Controller(1)
3 Controller (3)	7 Syphon tube	11 Controller(2)	15 dP indicator
4 Air supply(5~7Kg/cm <sup>2</sup> )	8 Block valve	12 Solenoid valve	16 Orifice flange

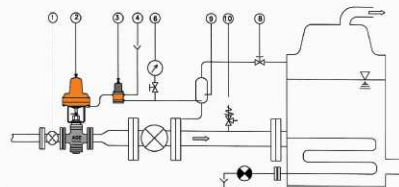
\* Simple Pressure Reducing Service



AGE313 Series regulates down stream pressure with the independence upon up and downstream fluctuations.

Pressure for controller input on downstream side with condensate pot or syphon tube on hot fluid service.

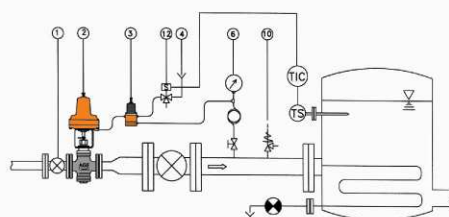
\* Pressure Regulating on vaporizer(Indirect local temperature control)



AGE313 Series PRV regulates steam flow for heating vaporizer.

Pressure for controller input on vaporizer through condensate pot.

\* Pressure Reducing & PWM PID local temperature control(Manufacturer package supplied)



AGE313 Series controls temperature by pulse width PID modulating on off signal from TIC with pressure regulating function.

Temperature sensor for TIC input on heat exchanger and for controller input on downstream piping.

▶▶ **MODEL No : AGE40 Series (Electric On-Off Valve)**  
**AGE42 Series (Electric Step On-Off Valve)**

AGE40/42 series are AC/DC motor actuator designed to provide outstanding functions to shut off and modulate the rotating and thrust force valves. Long lasted experience in manufacturing various control valve and HP butterfly valve enables us to provide the solution to safe and convenient operating. Inherent built-in self soft on or off acting minimizes the line pressure surge and prevents the possible damages of equipment and piping facilities.

▶▶ **SPECIFICATION**

<b>Valve</b>	Model no	AGE40/42□□-□□□G/T/M	AGE40/42□□-□□□B
	Type	2-way, 3-way globe	(HP) butterfly
	Size	15A(1/2") ~ 300A(12")	25A(1") ~ 600A(24")
	Ratings	JIS 10K~63K, ANSI 150#~300#, DIN 15~25, etc.	
	Connections	Flange, Welded, etc.	Wafer, Lug, Flange
<b>Materials</b>	Leakage class	ANSI Class IV	ANSI Class IV~VI
	Body	Ductile iron, Cast steel, Stainless steel, etc.	
	Plug/disc	Stainless steel, Monel, etc.	
	Seat	Stainless steel, Monel, Teflon, etc.	
	Shaft	Stainless steel, etc.	
<b>Actuator</b>	Power Supply	220, 380, 440 Vac	
	Input Signal	DC Motor-Dry Contact, AC Motor-On Off Command	
	Motor	DC Motor : 40W~12Vdc / 24Vdc	
		AC Motor : 15W~120W~220Vac 1ph 4pole, 15W~120W~440Vac 3ph 4pole	
	Speed	16sec~60sec	
	Accessories	Power fail safe Unit, Limit switch, Torque switch, Space heater, Position transmitter, Manual handle, etc.	
Enclosure	IP65		



(Step) on-off butterfly valve



on-off butterfly valve



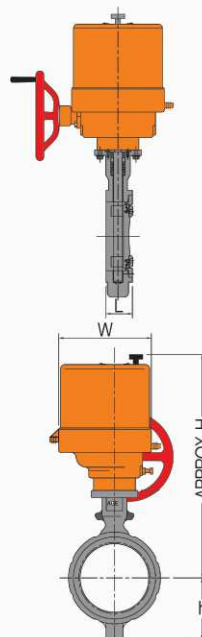
on-off butterfly valve

▶▶ **OUTLINE DIMENSION**

unit : mm

VALVE SIZE		ACTUATOR SIZE	L	REFERENCE			WEIGHT KG
mm	inch			h1	H	ØW	
40A	1 1/2"	015	42	46	386	200	18.5
50A	2"	015	44	71	431	200	19.8
65A	2 1/2"	015	44	81	432	200	20.5
80A	3"	015	44	84	444	200	20.9
100A	4"	015	52	96	450	200	22
125A	5"	040	62	124	534	227	30
150A	6"	040	62	144	547	227	42
200A	8"	040	84	171	575	227	58
250A	10"	090	91	233	662	227	71
300A	12"	090	101	266	709	227	95
350A	14"	090	114	291	724	227	125
400A	16"	120	114	322	760	227	160

※Dimensions are subject to change without notice.  
Request certified drawings for use in preparing piping layouts





▶▶ MODEL No : AGE41 Series(Electric Smart control valve)

▶▶ FEATURES

- Self diagnostics and on-line calibration
- High accuracy
- Visual LED display for status and trouble monitoring
- Break circuit accurate positioning (AC motor type)
- Convenient manual override



Modulating butterfly valve

▶▶ SPECIFICATION

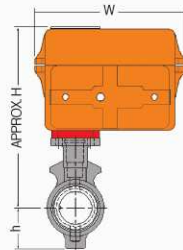
<b>Valve</b>	Model no	AGE41□□-□□□G/T/M	AGE41□□-□□□B
	Type	2-way, 3-way globe	(HP) butterfly
	Size	15A(1/2") ~ 300A(12")	25A(1") ~ 600A(24")
	Ratings	JIS 10K~63K, ANSI 150#~300#, DIN 10~25, etc.	
	Connections	Flange, welded, etc.	Wafer, Lug, Flange
	Leakage class	ANSI Class IV	ANSI Class IV~VI
<b>Materials</b>	Body	Ductile iron, Cast steel, Stainless steel, etc	
	Plug/disc	Stainless steel, Monel, etc.	
	Seat	Stainless steel, Monel, Teflon, etc.	
	Shaft	Stainless steel, etc.	
<b>Actuator</b>	Power Supply	24, 220, 380, 440 Vac	
	Input Signal	4~20mA	
	Motor	DC Motor : 40W~12Vdc / 24Vdc AC Motor : 220Vac 1ph 4pole, 440Vac 3ph 4pole	
	Speed	16sec~60sec	
	Accessories	Power fail safe Unit, Limit switch, Torque switch, Space heater Position transmitter, Manual handle, potentiometer kit, etc.	
	Enclosure	IP65	

▶▶ OUTLINE DIMENSION

unit : mm

VALVE SIZE	ACTUATOR	L	h	H	W
25A 1"	SB15	42	60	250	210
40A 1 1/2"	SB15	42	56	264	210
50A 2"	SB15	44	68	289	210

※Dimensions and design are subject to change without notice.  
Request certified drawings for use in preparing piping layouts



Modulating globe valve

▶▶ OUTLINE DIMENSION

unit : mm

VALVE SIZE		L		H	h	ØW
mm	inch	10K	20K			
15A	1/2"	156(180)	160(190)	501	50(70)	210
20A	3/4"	160(184)	164(194)	501	63(70)	210
25A	1"	160(184)	164(197)	501	63(70)	210
32A	1 1/4"	222	235	521	87	210
40A	1 1/2"	222	235	521	87	210
50A	2"	254	267	521	88	210
65A	2 1/2"	276	292	531	100	210
80A	3"	298	317	562	111	210
100A	4"	352	368	599	136	210
125A	5"	403	473	648	156	210
150A	6"	451	473	663	156	210
200A	8"	543	568	690	175	220
250A	10"	673	708	1140	214	220

※Dimensions and design are subject to change without notice.  
Request certified drawings for use in preparing piping layouts



Modulating globe valve

